



Assembly instructions for TH387

Specifications of Torque Forces

MADE IN ITALY

High-reliability
electrical connections
www.techno.it

16 March 2017

© Techno s.r.l. All rights reserved.



TH387 screw terminals tightening



Screw tightening

THB.387.x2x.x
THB.387.x3x.x
THB.387.x4x.x
max. 0.8 Nm

THB.387.x5x.x
max. 0.2 Nm

Cable cross-section

0.5 mm² – 4.0 mm²
Stranded and solid
conductors

0.25 mm² – 2.5 mm²
Stranded and solid
conductors

TH387 cable-to-cable (long cable gland)



Matching the connectors

- Turn the ferrule clockwise until fully seated (max. 1.0 Nm)
- Also, it is enough to tighten until you notice firm resistance to rotation
- The plug and socket will be matched correctly and the IP68 resistance guaranteed




Ferrule

Clockwise - 1.0 Nm
(until fully seated)


Code: THx.387.xxx.L



Cable gland

Clockwise - 2.5 Nm
 22 mm

Nut

Clockwise - 2.5 Nm
 22 mm

Code: THx.387.xxx.L

TH387 cable-to-cable (short cable gland)

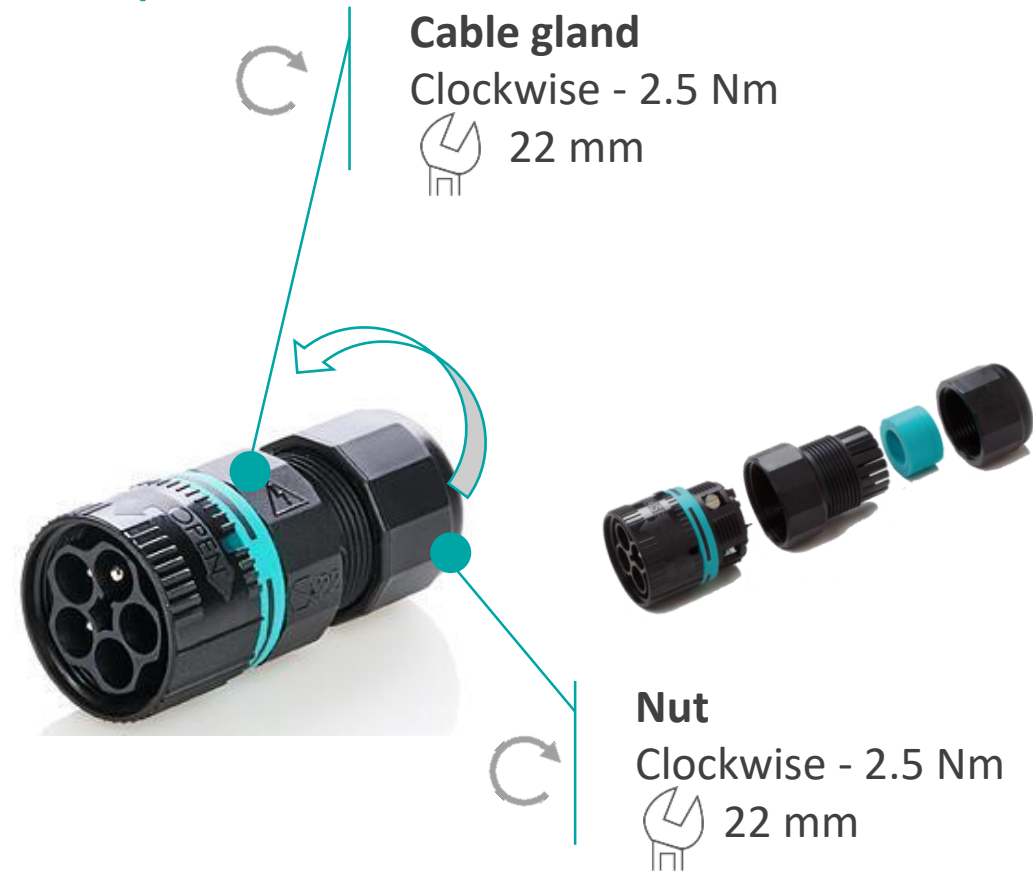


Matching the connectors

- Turn the ferrule clockwise until fully seated (max. 1.0 Nm)
- Also, it is enough to tighten until you notice firm resistance to rotation
- The plug and socket will be matched correctly and the IP68 resistance guaranteed

Ferrule
Clockwise - 1.0 Nm

Code: THx.387.xxx



Cable gland
Clockwise - 2.5 Nm
22 mm

Nut
Clockwise - 2.5 Nm
22 mm

Code: THx.387.xxx

How to use the quick-fix spanner



Code: THx.387.xxx.L

Nut

to be used for

Top

Bottom



Bottom

to be used for




Nut

Code: THx.387.xxx

Other products (i.e. TH405)

How to use the quick-fix spanner (cont.)



1. Turn the nut (A) of the connector clockwise using the quick-fix spanner
2. Continue to turn it up to the nut will not turn more. You will hear a noise due to friction of the key on the nut 
3. At this point you have the nut tighten with a torque force of $2.0 \text{ Nm} \div 2.5 \text{ Nm}$
4. Important: the cable gland (B) will be tightened automatically when turning the nut (A)
5. Cable retention and IP68 resistance are guaranteed (acc. to EN61984 and EN60998/EN60529)



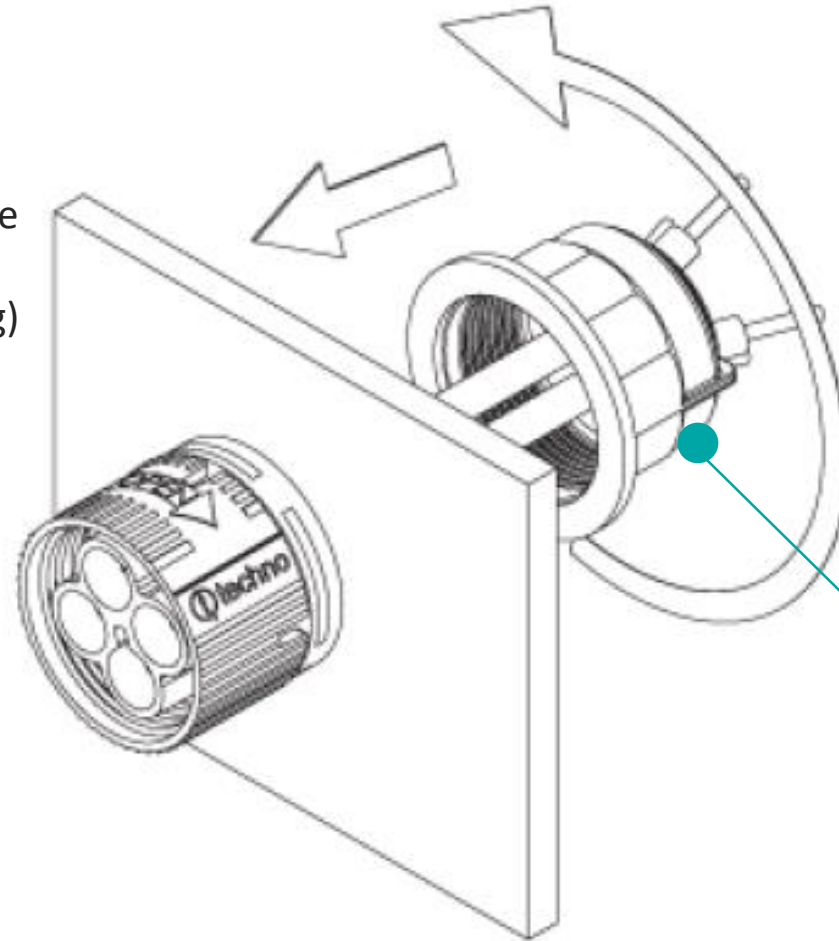
TH387 panel-mounted M20 (non conductive panel)



Important


In order to hold the panel-connector when panel-mounting, you should insert the plug (or socket) connector into the panel-socket (or panel-plug) connector.

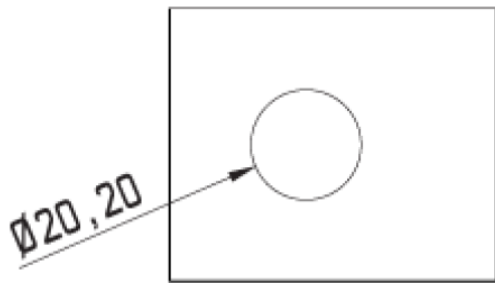
A specific assembly tool is available starting May '17



Fixing nut

Clockwise - 1.5 Nm

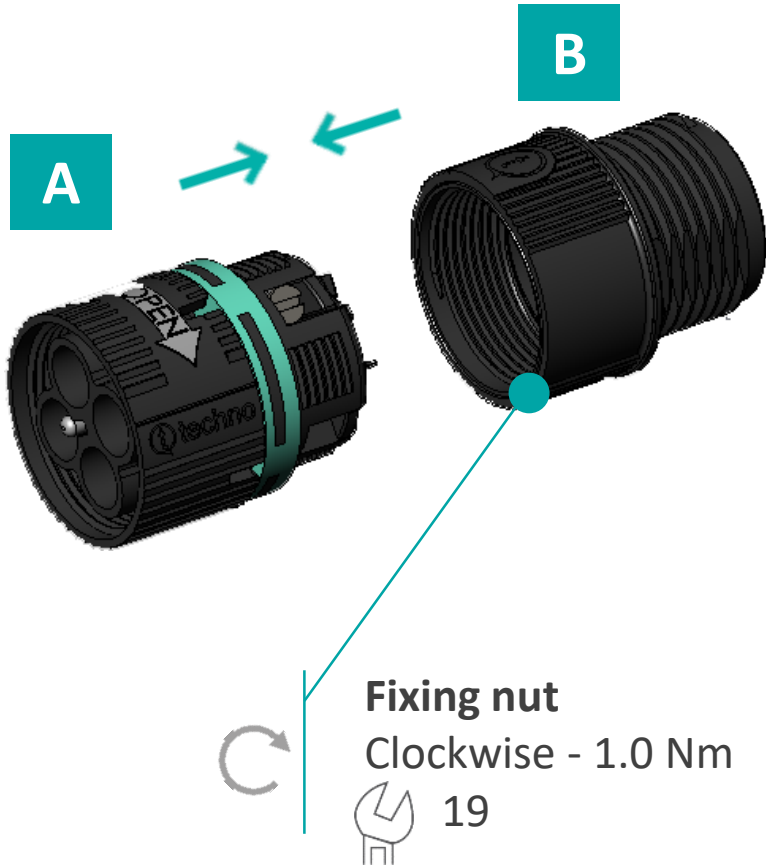
 22.4 mm



Panel thickness: 1.0 mm ÷ 3.5 mm

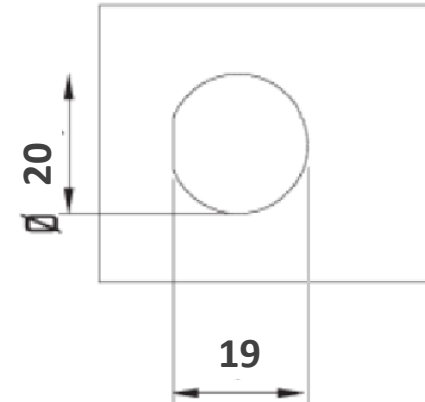
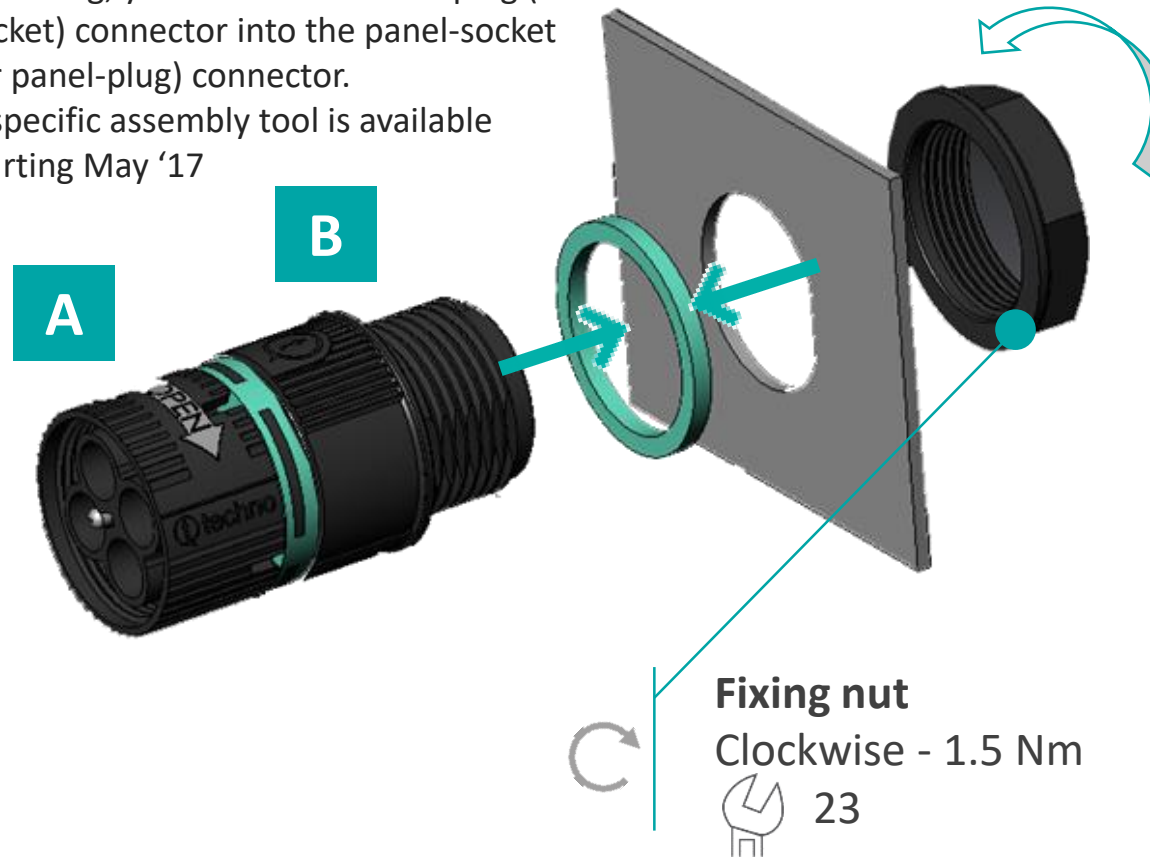
TH387 panel-mounted M20 (all panels)

Code: THx.387.Nxx
THx.387.Pxx



Important

In case of circular hole, in order to hold the panel-connector when panel-mounting, you should insert the plug (or socket) connector into the panel-socket (or panel-plug) connector. A specific assembly tool is available starting May '17



Panel thickness:
1.0 mm ÷ 9.0 mm

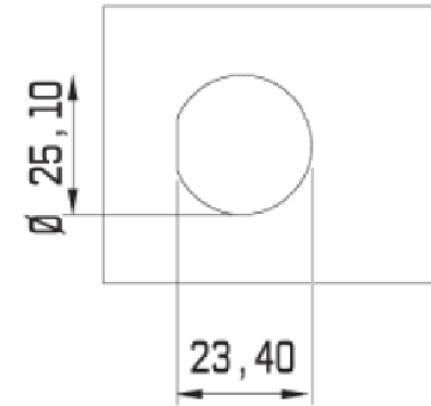
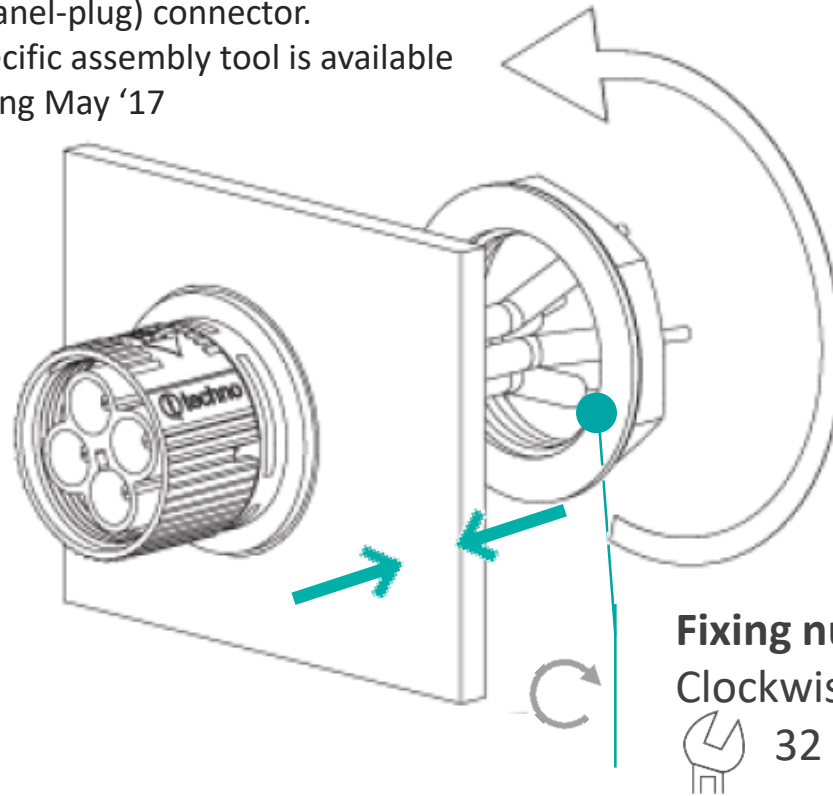
TH387 panel-mounted M25

Code: THx.387.Fxx
THx.387.Exx



Important

In case of circular hole, in order to hold the panel-connector when panel-mounting, you should insert the plug (or socket) connector into the panel-socket (or panel-plug) connector. A specific assembly tool is available starting May '17



Panel thickness:
1.0 mm ÷ 7.0 mm

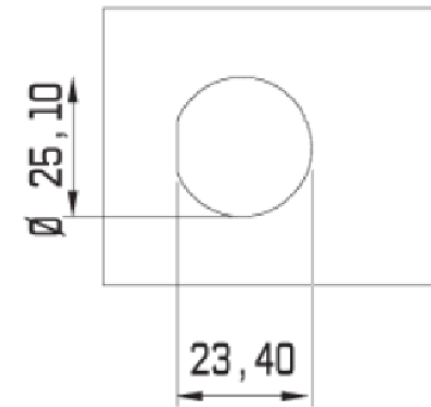
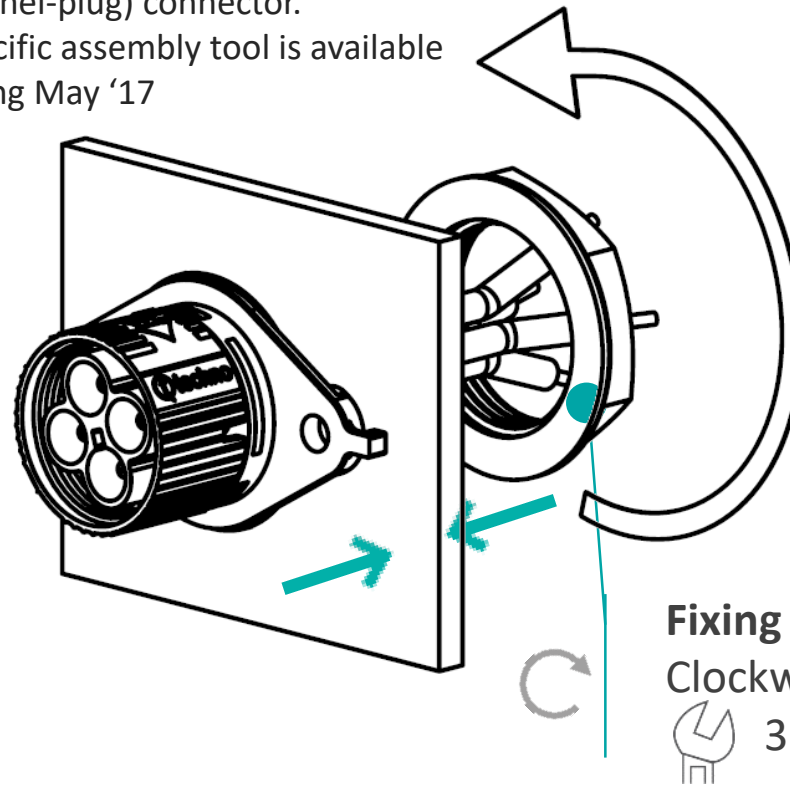
TH387 panel-mounted M25

Code: THx.387.Cxx
THx.387.Dxx



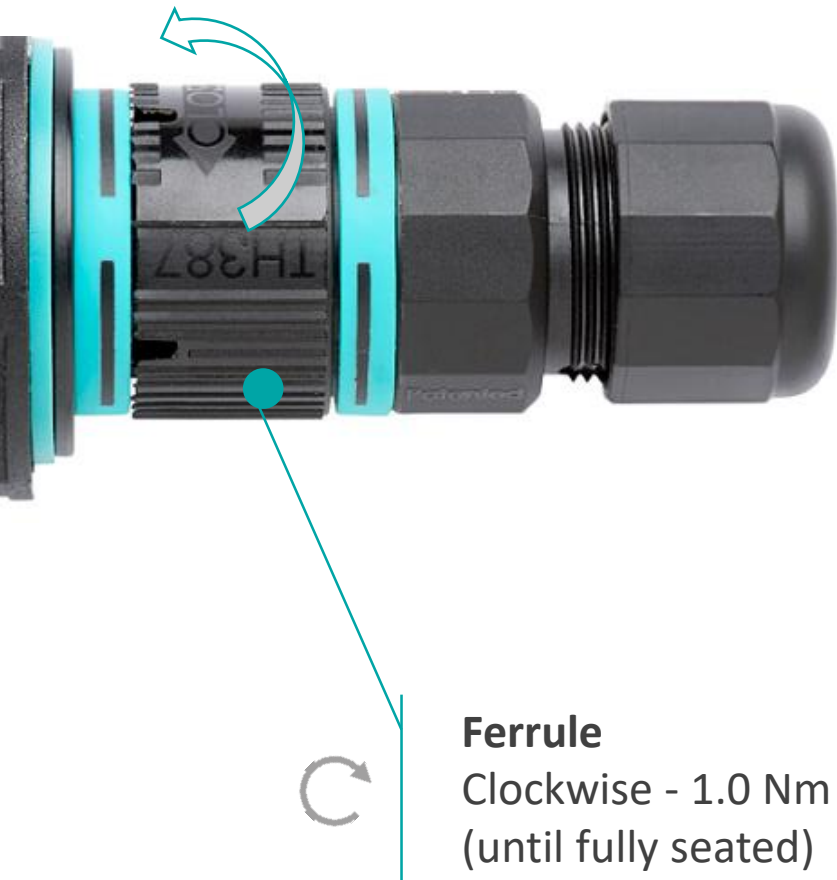
Important

In case of circular hole, in order to hold the panel-connector when panel-mounting, you should insert the plug (or socket) connector into the panel-socket (or panel-plug) connector.
A specific assembly tool is available starting May '17



Panel thickness:
1.0 mm ÷ 7.0 mm

TH387 panel-mounted (all versions)



Matching the connectors

- Turn the ferrule clockwise until fully seated (max. 1.0 Nm).
- Also, it is enough to tighten until you notice firm resistance to rotation
- The plug and socket will be matched correctly and the IP68 resistance guaranteed