



**Part number: CRP000017 - Model: CRTP 24 Vac/dc**



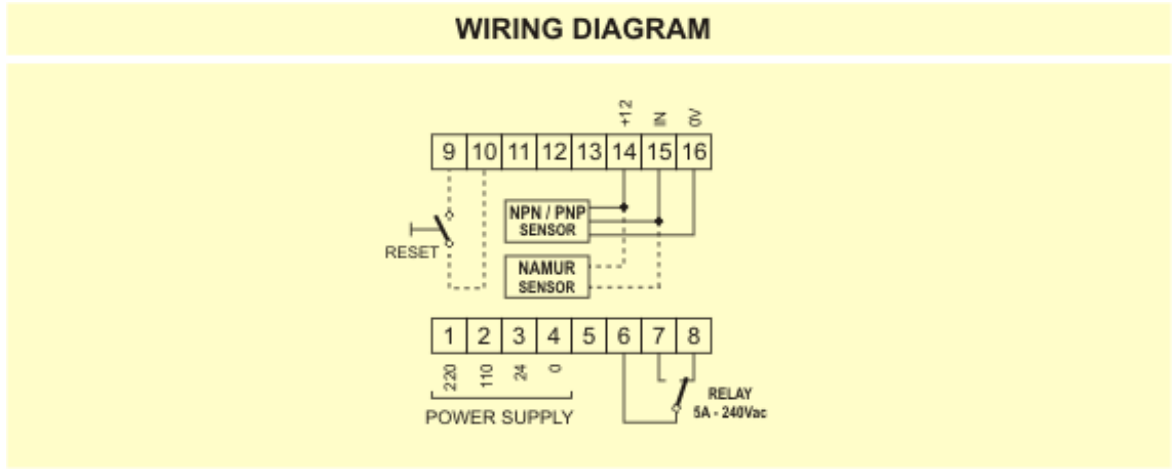
**TECHNICAL CHARACTERISTICS**

Control type:	Under speed and Shaft stand still
Detection type:	Inductive (integrated function)
Combinable detection device:	Capacitive-Inductive-Photoelectric Sensor with PNP/NPN/NAMUR output type
Detectable rotations range (RPM):	0.1 ÷ 2400
Working voltage:	24 Vac/dc
Delayed alarm activation time:	0.3 ÷ 10 sec
Response time:	See conversion table RPM / Time
Block function - A:	Programmable
Autoreset function - B:	Programmable
Absorption:	2 VA @ relay ON
Output voltage:	12 V
Max. supply current:	50 mA
Output type:	Relay
Max output current:	5A @ 240 Vac
Led indicator:	Red=alarm / Green=power supply
Temperature limits:	-20 ÷ +60 °C
IP rating:	IP20
Connection type:	Terminal block
Mounting:	35 mm DIN rail
Mechanical characteristics:	52x90x75
Housing material:	Plastic
Weight:	330 g

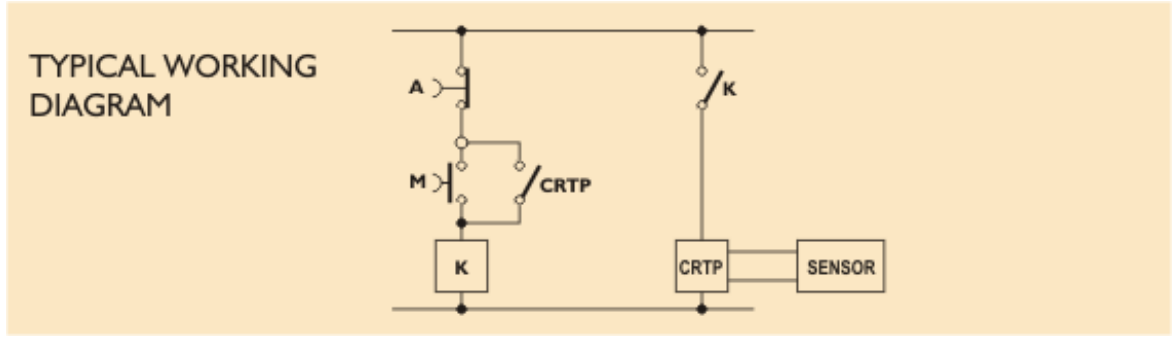


**Part number: CRP000017 - Model: CRTP 24 Vac/dc**

**WIRING DIAGRAM**



**INSTRUCTIONS FOR CORRECT INSTALLATION**



**CONVERSION TABLE RPM/TIME AND PROGRAMMABLE FUNCTIONS**

DIP SWITCH position	Number of RPM	T1 Seconds	Chart 1	
1	2,3	0,1	25,6	512
2	9,3	0,4	6,4	128
3	37,5	1,8	1,8	32
4	75	3,7	0,8	16
5	150	7,5	0,4	8
6	300	15	0,2	4
7	600	30	0,1	2
8	1200	60	0,05	1
9	2400	120	0,03	0,5
10	ON (A FUNCTION)		OFF (B FUNCTION)	
11	ON (NPN SENSOR)		OFF (PNP/NAMUR SENSORS)	
12	ON (SHAFT STANDSTILL)		OFF (ROTATION CONTROL)	

ON ↔ OFF

N.B. The positions from 1 + 9 (Preselection ON) programme the time or RPM ranges. Positions 10-11-12 programme the available functions.

# WORKING DIAGRAM

