

Linear measuring technology

**Length measuring kits
flexible fastening**

Spring encoder arm



Robust and reliable

- Max. 40 N, adjustable spring pressure available in any position.
- Pressure for each notch appr. 20 N (first notch between 0 and appr. 20 N).
- Wide temperature range -40°C ... +120°C.

Versatile

- Can be installed in any mounting position 8 setting positions in 45° steps.
- Base plate – variable in 4 directions.

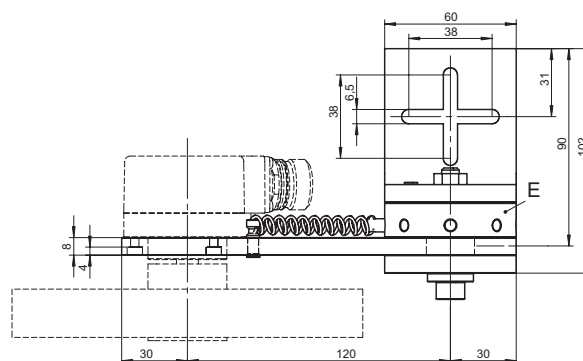
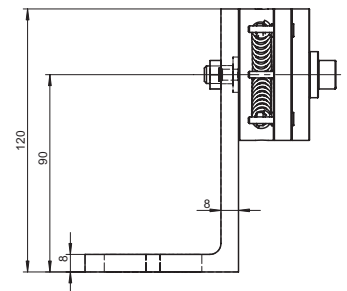
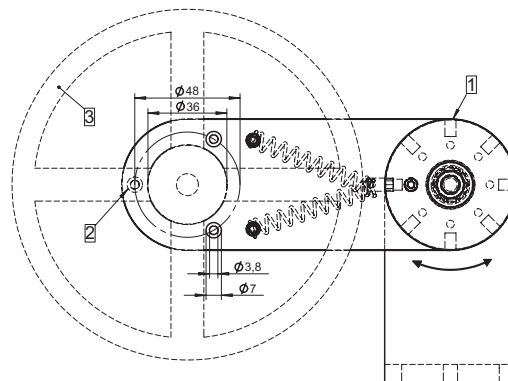
Order code

8.0010.7000.0010

Dimensions

Dimensions in mm

- 1 Setting with a size 0 or 1 screwdriver
- 2 3 pcs. screws M3 x 8 DIN 912 included
- 3 Measuring wheel



Linear measuring
technology