

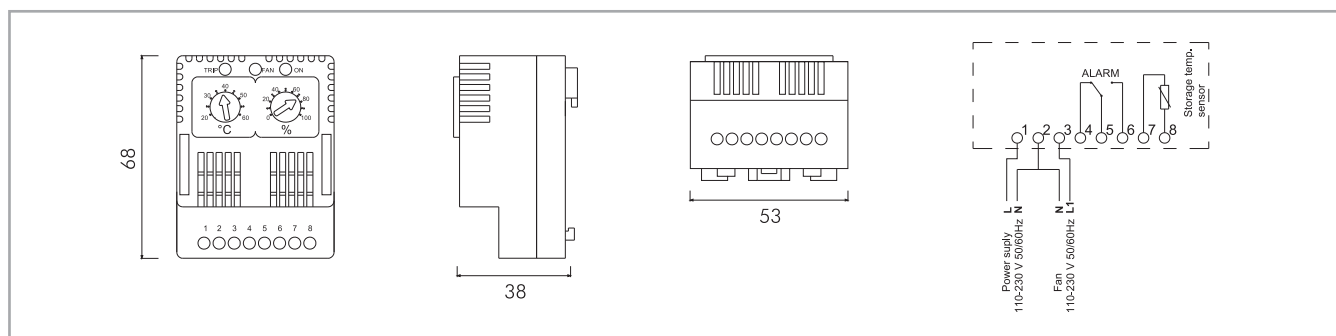
FSC FAN SPEED CONTROLLER

Electronic temperature-regulated fan speed controller for DIN 35 mm. rail mounting.
Speed controller helps to reduce fan noise, air flow rate is reduced to the optimum speed required.



Features	Unit	FSC
Power supply	V/Hz	100-230/50-60
Temperature setting range	°C	+20 / +60
Fan speed setting range	%	0 - 100
Speed controller	-	partialization of wave
Input	-	NTC sensor
Max. output fan	-	300 W (100-230/50-60Hz)
Electrical connection	-	terminal for 2.5 mm ² wire
Optical signal	-	LED
Casing	-	PA6, UL94 V0 self-extinguishing, light grey RAL 7035
Protection degree EN60529	-	IP20
Operating / Storage temperature	°C (°F)	-10/+70 (+14/+158)
Mounting	-	Clip for mounting on DIN rail 35 mm EN50022
Installation position	-	Vertical
Conformity/Certifications	-	CE
Dimensions HxWxD	mm	68x53x38
Weight (with packaging)	kg	0.10 (0.11)

Accessories	
DIN rail bracket	GUIDADINPL



Specifications, values and drawings are subject to change without notice.