



ATV 43 - ATV 44



Features	Unit	ATV4000	ATV4300	ATV4301	ATV4324	ATV4348	ATV4400	ATV4401	ATV4440
Air flow rate (free blow)	m ³ /h	-	255 (290)		255		410 (445)		
Air flow rate with exit filter	m ³ /h	-	202 (235)		202		280 (302)		
Power supply	V/Hz	-	230 / 50-60	115 / 50-60	24DC	48DC	230 / 50-60	115 / 50-60	400 / 50-60
Dimensions HxWxD	mm	250x250x38	250x250x128				250x250x136		
Power consumption	W	-	40 (38)		26	33	70 (90)		60 (70)
Current consumption	A	-	0.17 (0.16)	0.34 (0.32)	1.08	0.68	0.40 (0.38)	0.80 (0.76)	0.18 (0.15)
Overcurrent protection	-	-	thermal		impedance		thermal		
Electrical connection	-	-	3-poles spring terminals *		2-poles spring terminals *		3-poles spring terminals *		4-p s t*
Duty cycle	-	-	100%						
Operating temperature	°C (°F)	-10 / +70 (+14/+158)							
Protection degree / Class	-	IP54	IP54 / Class I						
Noise level	dB(A)	-	53 (58)		61		65 (68)		
Flow direction	-	-	reversible, default factory setting outside-in						
Bearing	-	-	ball						
Filter mat EN779	-	G3	G3						
Service life (at 40°C)	hr	-	50 000						
Material	-	ABS UL94V-0 color RAL7035							
Wall thickness	mm	1.2 - 2.4							
Gasket	-	foam seal gasket							
Weight (with packaging)	kg	0.52(0.62)	1.72(1.92)		1.53(1.73)		2.74(2.94)		
Package dimensions H x W x D	mm	270x270x47	270x270x165						
Mounting	-	fast clip-on							
Conformity/Certifications	-	CE							

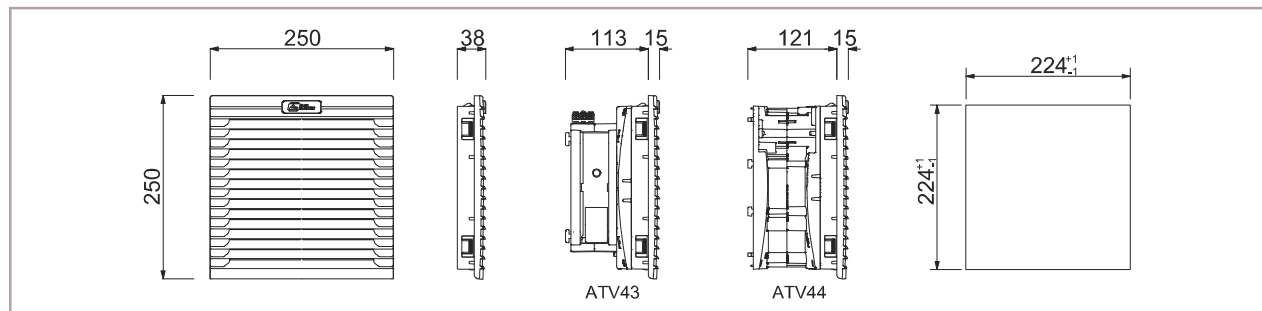
* 0.5-2.5mm²

Versions

UL-code ending		U	
EMC-code ending		M	

Accessories

Filter mat, standard type		ATVF4
Filter mat, high efficiency		ATVF4X
Thermostat 0-60°C, NO contact	-	THV2
Hood for IP55		CUFF20B



Specifications, values and drawings are subject to change without notice.