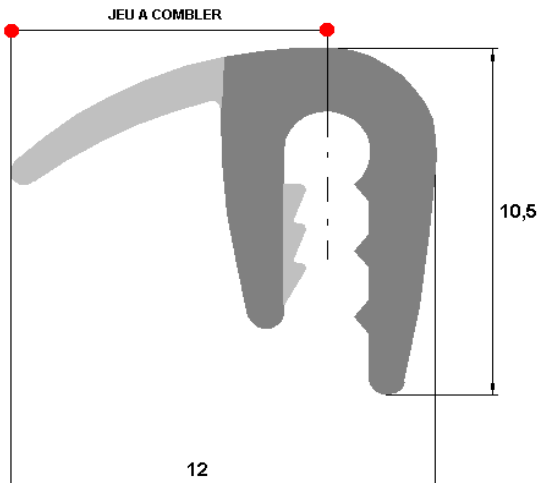

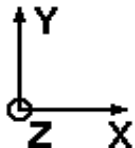

	<p>PRODUCT NAME LC09</p> <p>ITEM NUMBER 9G728</p>	
<p>PRODUCT PICTURE</p> 		
		<p>SCALE 1:1</p> 

PRODUCT DESCRIPTION

Soft lip : gives flexibility when collapsed
Clip in rigid rubber : gives an elastic tightening
Soft rubber lips : good pull-out behaviour

MATERIAL	CLIP	Grade :	Black EPDM
		Hardness :	95 Shores A
	LIPS	Grade :	Black EPDM
		Hardness :	60 Shores A

MAXIMAL TEMPERATURES OF USE OF THE PROFILE		
<i>Nonstop static</i>	<i>Nonstop under constraints</i>	<i>Hottest (max duration 30 min)</i>
100	70	110

DIMENSIONS OF THE CLIP (mm)			
<i>Allowed sheet width</i>	1,5 to 2,5	<i>Depth of the clip</i>	6

MINIMAL BENDING RADIUS			
X	<i>Limit</i>	Y	<i>Limit</i>
-	wavy lip	+40	lip collapse
-40	lip collapse	-60	wavy lip

GAP - Direction Y - (mm)				
		MINI	ADVISED	MAXI
gap		4	6 7	9
tubing collapse		100%	50% 30%	0%

For all inquiries feel free to contact : HUTCHINSON - Le Pommarin - BP 17 - 38430 MOIRANS
 Tel. +33 4 76 35 79 00 - Fax +33 4 76 35 79 09

